

UR 24

REFRACTOMETER FOR ON LINE ANALYSIS OF CONCENTRATION

The microprocessor-based model UR24 digital refractometer is a self-contained multifunction analyzer which mounts directly on the process line. It continuously measures the concentration, displays the temperature-compensated concentration value, and transmits this value to both analogue and digital remote receivers.

The UR24 incorporates modern technologies such as:

- **Abrasion resistant sapphire prism**
- **Long life LED light source**
- **High resolution CCD digital optical sensor**

The instrument's membrane faceplate contains a back-lighted liquid crystal display and input keypad.

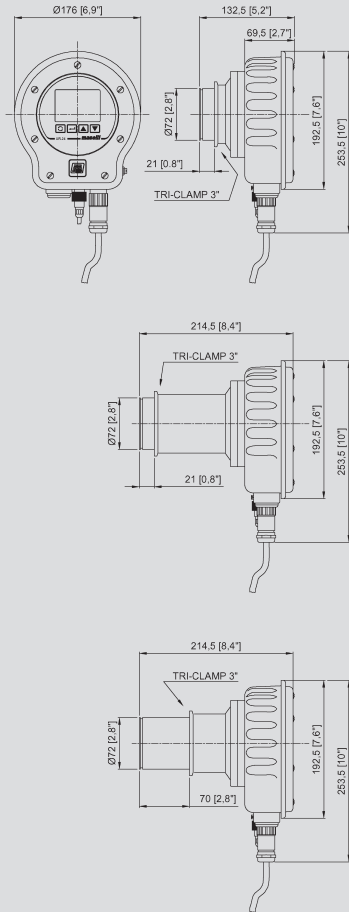
It is possible to personalize the instrument in the field, either from the keypad or remotely through the RS485 serial port.

Further more versions with interfaces for ANYBUS COMMUNICATOR (PROFIBUS DP or others on request) modules are available.

A set of specially designed adapters, customized for each application, allow easy installation of the unit on a process line or on the side wall of a tank:

- Food & Beverage (Tri-Clamp®, 3-A, DIN 11851, Varivent®, weld ends)
- Industrial (weld ends, threaded ends, flange ends).



Overall dimensions**MASELLI MISURE s.p.a.**

43100 Parma - Italy
Via Baganza 4/3
Tel. +39 0521 257411
Fax +39 0521 250484
info@masellimisure.com
www.masellimisure.com

maselli
misure
PROCESS ANALYZERS

GENERAL CHARACTERISTICS**TECHNICAL CHARACTERISTICS****UR24 ST - Standard Version**

Measurement limits:
1.3330...1.5318 nD (0...95 Brix)

Amplitude Scale Range:
Minimum 0.0482 nD (30 Brix)
Maximum 0.1988 nD (95 Brix)

Accuracy and Resolution:
Accuracy 0.5% of the selected scale amplitude
Max. accuracy ± 0.0002 nD (± 0.15 Brix)
Resolution 0.1 Brix

UR24 HA - High Accuracy Version

Measurement limits:
1.3330...1.5318 nD (0...95 Brix)

Amplitude Scale Range:
Minimum 0.0227 nD (15 Brix)
Maximum 0.1988 nD (95 Brix)

Accuracy and Resolution:
Accuracy 0.3% of the selected Scale Range
Maximum accuracy ± 0.00007 nD (± 0.05 Brix)
Resolution 0.01 Brix

Measurement Scales:

- Brix Range (referred to the nD/Brix ICUMSA 1974 Conversion Tables)
- User Scale can be configured depending on the parameter of measurement required

Temperature Compensation:

- Automatic over the range -5 °C... $+105$ °C ($+23$ °F... $+221$ °F)
- Special version up to 140 °C (284 °F)
- User Range compensation defined by custom values entered

Interfaces:

- (optically isolated)
- Analogue:
0...20mA or 4...20mA (on 470 Ω)
 - Digital:
RS422/RS485
 - Input contacts:
Hold measure input
 - Output contacts:
Relay output with contact rating of maximum 24V/500mA AC/DC

Supply:

- AC 18V (12...24V) 50...60Hz 0.6A
- DC 24V (18...36V) 0.6A
- on request, Connection box with Transformer AC 115/230V $\pm 10\%$ 50...60Hz 10VA

CONSTRUCTION CHARACTERISTICS**Measurement prism:**

Synthetic sapphire or optical glass

Light Source:

High efficiency LED electronically compensated

Element of refractometric measurement:

High resolution CCD

Element of temperature measurement:

- With Pt100 inserted on line
- Inside the appliance on request

Controls:

Keypad in scratch-proof polyester

Display:

Backlit graphic LCD display 128x64 point

Language:

Choice of 5 interface languages (English, German, French, Italian, Spanish) for the display of menus and messages

Execution:

- 304-316 AISI Stainless steel and PEEK™
- Protection IP67 (EN60529)
- 3-A USDA Approval (on request)

Weight:

- 3.3 kg (7.3 lb) - Standard Version
- 5 kg (11 lb) - LP/HT Version

Materials in contact with the process fluid:

- AISI 316 stainless steel
- Synthetic sapphire or optical glass
- Viton
- Other materials on request

Dehumidification:

The optical section of the unit is dehumidified using a molecular sieve desiccant cartridge

PROCESS FLUID OPERATING LIMITS:**Temperature:**

-20 °C... $+120$ °C (-4 °F... $+248$ °F)
on request 150 °C (302 °F)

Pressure:

-1 ... $+10$ bar (-15 ... $+145$ psi) at 20 °C (68 °F)
 -1 ... $+8$ bar (-15 ... $+116$ psi) at 100 °C (212 °F)
Execution up to 25 bar (362 psi) on request

ACCESSORIES:

- In-line mounting fittings in various tubing diameters
- Adapter flanges for mounting on tanks

